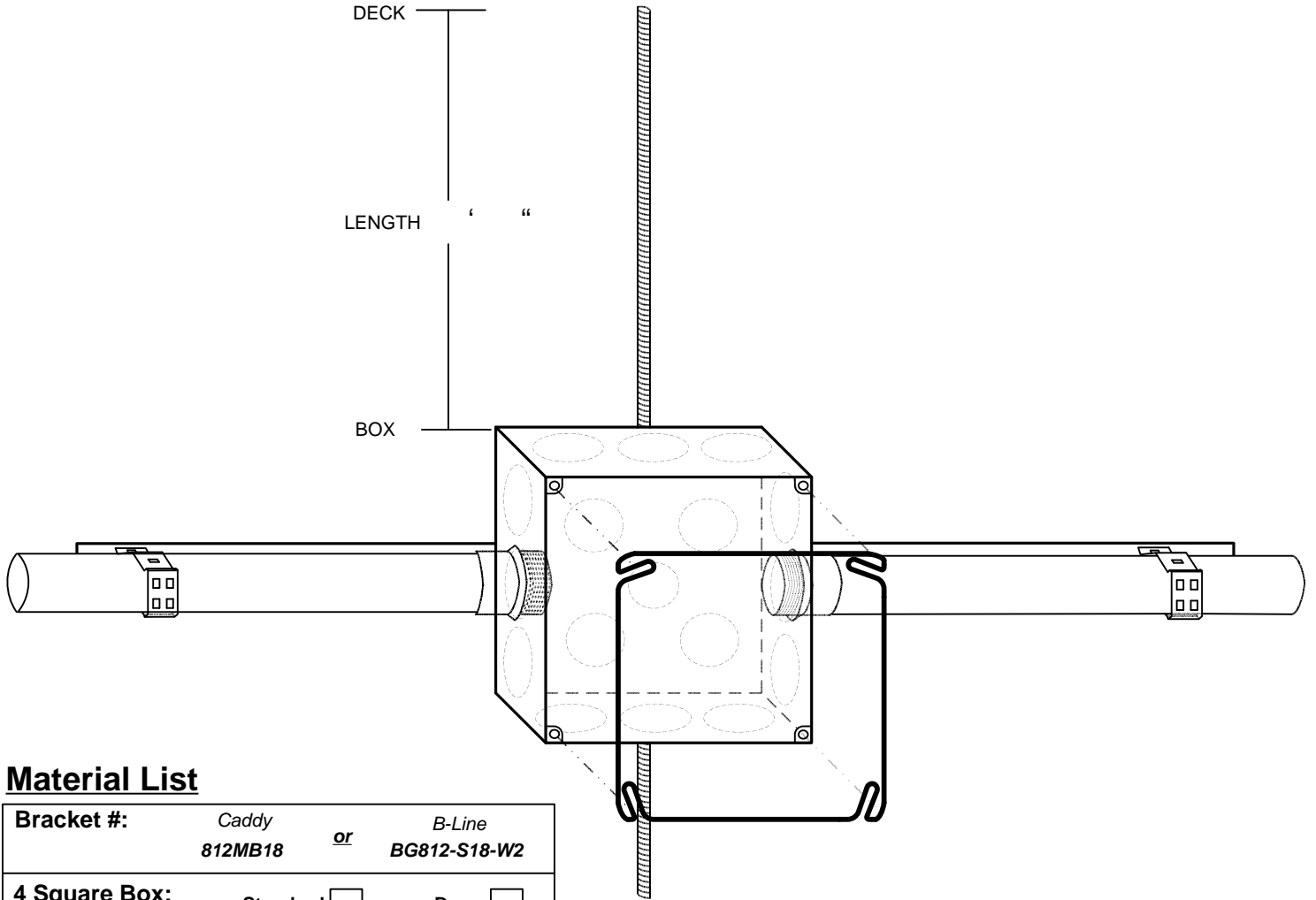


# SUSPENDED THREAD ROD BOX ASSEMBLY ORDER FORM



## Material List

<b>Bracket #:</b>	Caddy 812MB18	or	B-Line BG812-S18-W2
<b>4 Square Box:</b> <small>With GRND TAIL</small> <input type="checkbox"/>	Standard <input type="checkbox"/>		Deep <input type="checkbox"/>
<b>Blank Cover:</b> <small>MARKINGS:</small>	Yes <input type="checkbox"/>		No <input type="checkbox"/>
<b>All Thread:</b>	Yes <input type="checkbox"/>		No <input type="checkbox"/>
<b>Conduit Size:</b>	1/2" <input type="checkbox"/>		3/4" <input type="checkbox"/>
<b>Conduit Fittings:</b>	Set Screw		Compression
Steel <input type="checkbox"/>	Dicast <input type="checkbox"/>	<input type="checkbox"/>	<input type="checkbox"/>
<small>NOTE:</small>			

TOTAL ORDERED:

DATE ORDERED:

ORDERED BY:

DATE NEEDED AT JOBSITE:

CONTACT:

#:

LOCATION AT JOBSITE:

SPECIAL INSTRUCTIONS:

JOB NAME:

JOB #:

ISSUE DATE:

JOB PHASE:

COST CODE:

