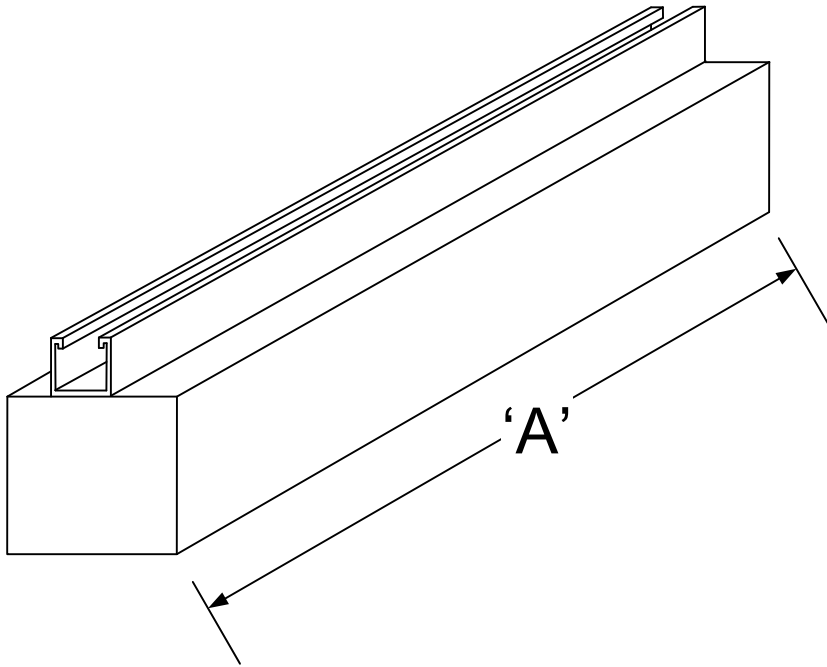


ROOF STRUT BLOCK ORDER FORM



SIZE KEY
- 2 X 4 - 4 X 4 - 4 X 6 - OTHER _____
MATERIAL KEY
BASE
RD PTRW PT OTHER _____
STRUT
S - 7/8 ZINC COATED D - 1-5/8 ZINC COATED SG - 7/8 GALV DG - 1-5/8 GALV OTHER _____

QTY	A	SIZE (SEE KEY)	MATERIAL SIZE (SEE KEY)	STRUT	PAD SIZE

UNLESS OTHERWISE REQUESTED ASSEMBLY ORDERS INCLUDE:

- CADDY PAGE 65
- B-LINE PAGES 155 - 157

TOTAL ORDERED:

DATE ORDERED:

ORDERED BY:

DATE NEEDED AT JOBSITE:

CONTACT:

#:

LOCATION AT JOBSITE:

SPECIAL INSTRUCTIONS:

JOB NAME:

JOB #:

JOB PHASE:

COST CODE:



ISSUE DATE: