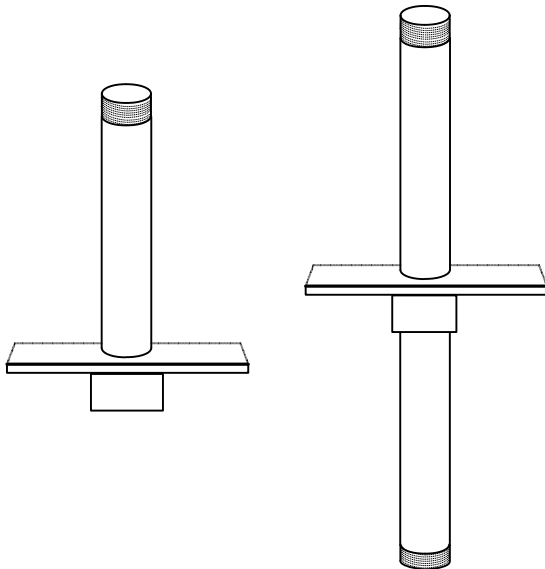


ROOF PENETRATION ORDER FORM



TOP NIPPLE				BOTTOM NIPPLE				DC COMPRESSION	DC SET SCREW	STEEL COMPRESSION	STEEL SET SCREW	THREADED BUSHING	COUPLING W / MC CONNECTOR
QTY	PIPE SIZE	OVERALL LENGTH	GRC FITTING	PLATE SIZE	PIPE SIZE	MATERIAL	OVERALL LENGTH						
			Y / N	4SQ / 4-11									
			Y / N	4SQ / 4-11									
			Y / N	4SQ / 4-11									
			Y / N	4SQ / 4-11									
			Y / N	4SQ / 4-11									
			Y / N	4SQ / 4-11									
			Y / N	4SQ / 4-11									
			Y / N	4SQ / 4-11									
			Y / N	4SQ / 4-11									
			Y / N	4SQ / 4-11									

NOTE :
- CONDUIT NIPPLES ARE TYPICALLY STOCKED IN EVERY INCH LENGTHS

TOTAL ORDERED:

DATE ORDERED:

ORDERED BY:

DATE NEEDED AT JOBSITE:

CONTACT:

#:

LOCATION AT JOBSITE:

SPECIAL INSTRUCTIONS:

JOB NAME:

JOB #:

JOB PHASE:

COST CODE:



ISSUE DATE: