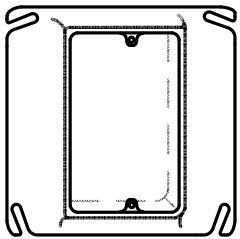
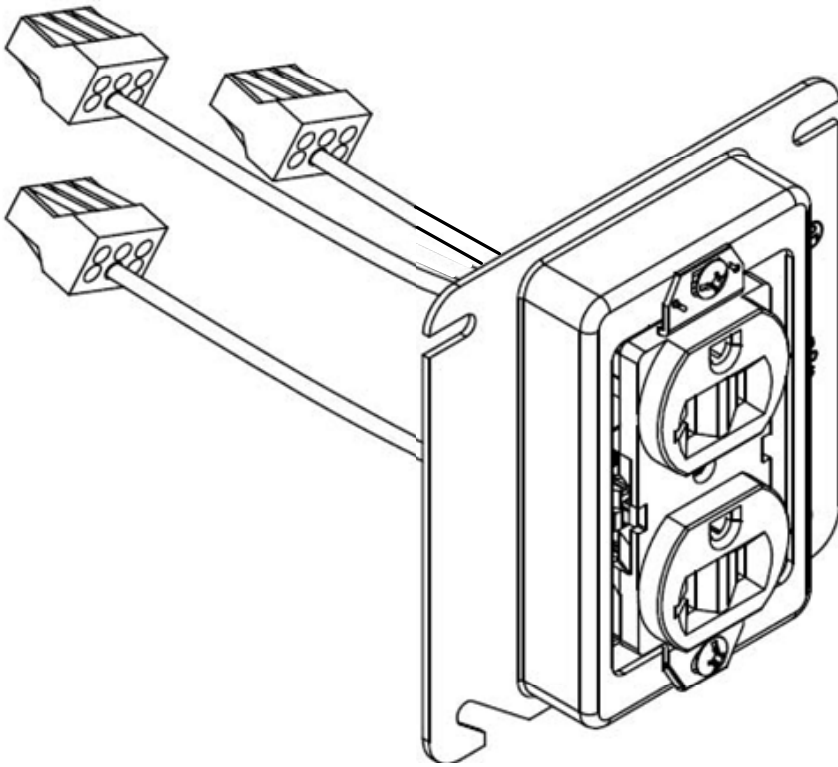
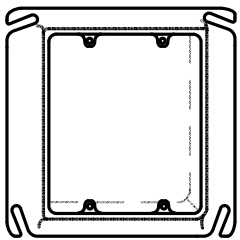
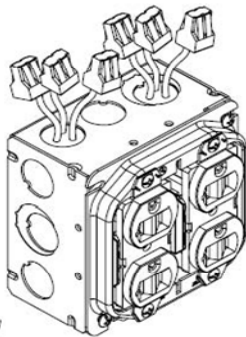


# PIGTAILED RECEPTACLES ORDER FORM








## OUTLETS

COLOR			
WIRE COLOR			
AMPERAGE	15 <input type="checkbox"/>	20 <input type="checkbox"/>	
GRADE			
EARS	ON <input type="checkbox"/>	OFF <input type="checkbox"/>	
SWITCHED	YES <input type="checkbox"/>	NO <input type="checkbox"/>	
TAMPER RESISTANT	YES <input type="checkbox"/>	NO <input type="checkbox"/>	
MUDRING / SIZE			
PROTECTIVE COVER	YES <input type="checkbox"/>	NO <input type="checkbox"/>	
WEGOS / HOLES	2	4	6

TOTAL ORDERED:

DATE ORDERED:

ORDERED BY:

DATE NEEDED AT JOBSITE:

CONTACT:

#:

LOCATION AT JOBSITE:

SPECIAL INSTRUCTIONS:

JOB NAME:

JOB #:

JOB PHASE:

COST CODE:



ISSUE DATE: