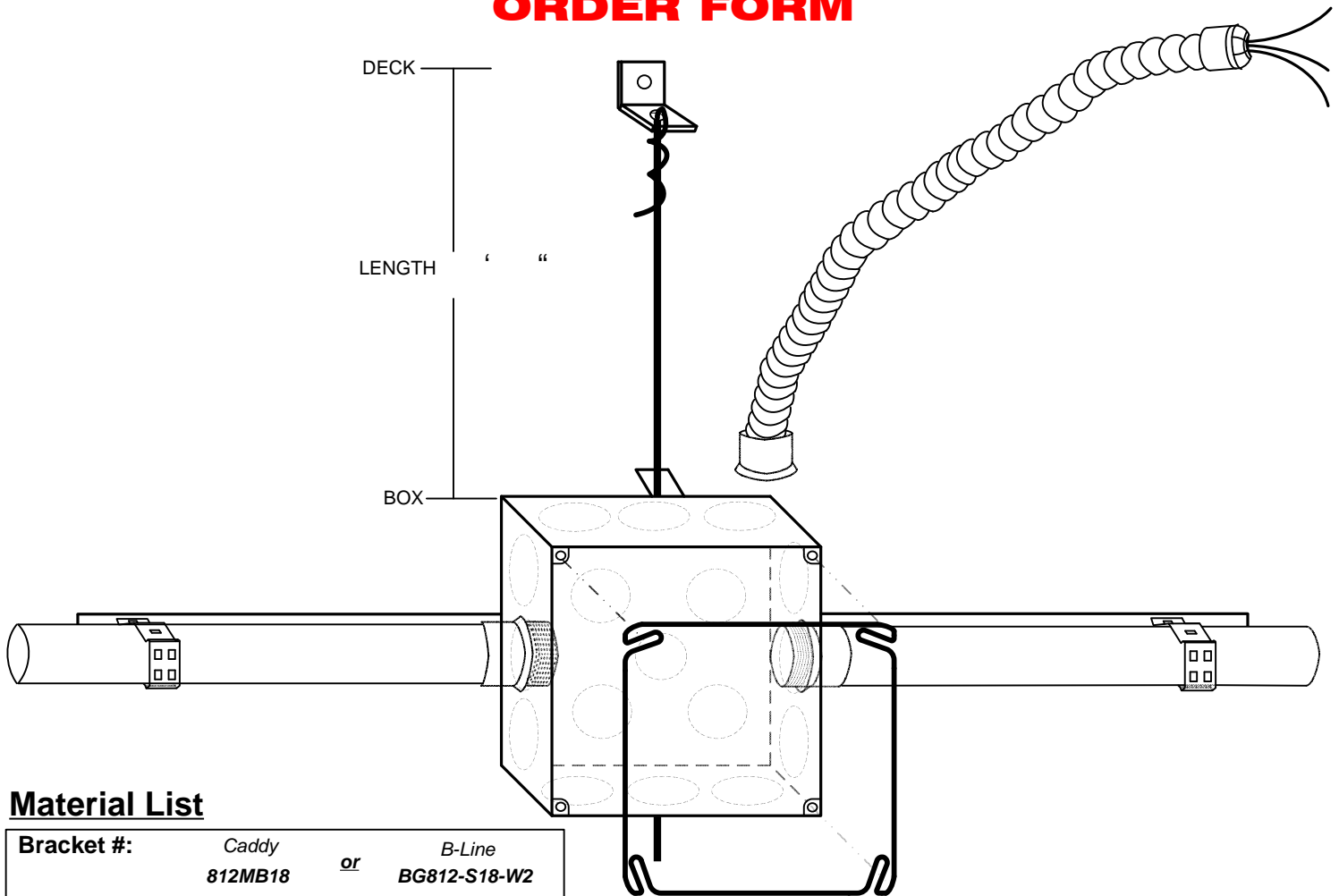


CEILING WIRE BOX ASSEMBLY (WITH WHIP) ORDER FORM



Material List

Bracket #:	Caddy 812MB18	or	B-Line BG812-S18-W2	
4 Square Box:	Standard <input type="checkbox"/>		Deep <input type="checkbox"/>	
<i>With GRND TAIL</i>	<input type="checkbox"/>			
Blank Cover:	Yes <input type="checkbox"/>		No <input type="checkbox"/>	
<i>MARKINGS:</i>				
All Thread:	Yes <input type="checkbox"/>		No <input type="checkbox"/>	TOTAL ORDERED:
Conduit Size:	1/2" <input type="checkbox"/>		3/4" <input type="checkbox"/>	Notes:
Conduit Fittings:	Set Screw <input type="checkbox"/>		Compression <input type="checkbox"/>	
<i>Steel</i> <input type="checkbox"/>	<i>Dicast</i> <input type="checkbox"/>			
Whip 1:	3/8" <input type="checkbox"/>	1/2" <input type="checkbox"/>		
	WHIP ENTRY:		<input type="checkbox"/> TOP	Whip 2:
	<input type="checkbox"/> SIDE	<input type="checkbox"/> BOTTOM		3/8" <input type="checkbox"/>
				1/2" <input type="checkbox"/>
				WHIP ENTRY:
				<input type="checkbox"/> SIDE
				<input type="checkbox"/> BOTTOM
Wire:	Black <input type="checkbox"/>	Red <input type="checkbox"/>	Blue <input type="checkbox"/>	Wire:
Color	Brown <input type="checkbox"/>	Orange <input type="checkbox"/>	Yellow <input type="checkbox"/>	Black <input type="checkbox"/>
				Brown <input type="checkbox"/>
				Red <input type="checkbox"/>
				Orange <input type="checkbox"/>
				Blue <input type="checkbox"/>
				Yellow <input type="checkbox"/>

DATE ORDERED:

ORDERED BY:

DATE NEEDED AT JOBSITE:

CONTACT:

#:

LOCATION AT JOBSITE:

SPECIAL INSTRUCTIONS:

JOB NAME:

JOB #:

ISSUE DATE:

JOB PHASE:

COST CODE:


Schaeffer
 Electric Company, Inc.