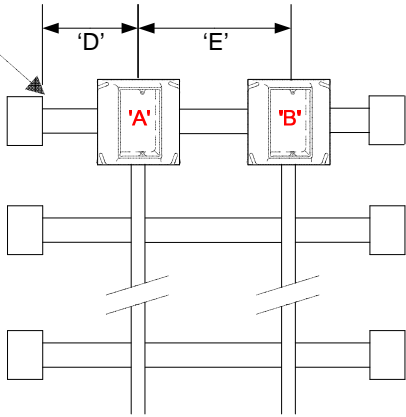


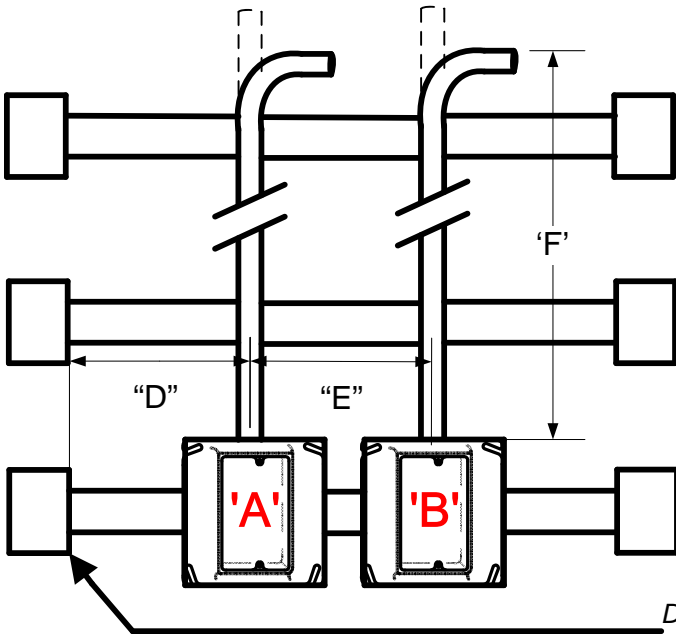
DUAL-BOX ASSEMBLY ORDER FORM

DIMNSION FROM
INSIDE OF LEFT STUD



	BOX 'A'	BOX 'B'
BOX TYPE		
BOX DEPTH		
RING TYPE		
RING DEPTH		
GROUND TAIL	Y <input type="checkbox"/> N <input type="checkbox"/>	Y <input type="checkbox"/> N <input type="checkbox"/>
FITTING TYPE / SIZE		
FITTING LOCATION	TOP <input type="checkbox"/> BTM <input type="checkbox"/>	TOP <input type="checkbox"/> BTM <input type="checkbox"/>
	L <input type="checkbox"/> M <input type="checkbox"/> R <input type="checkbox"/>	L <input type="checkbox"/> M <input type="checkbox"/> R <input type="checkbox"/>
DIM 'D' / 'E'	/	/
DIM 'F'		
STRAIGHT/STUB PIPE	STUB <input type="checkbox"/> STRT <input type="checkbox"/>	STUB <input type="checkbox"/> STRT <input type="checkbox"/>
PIPE FED FROM	TOP <input type="checkbox"/> BOTTOM <input type="checkbox"/>	TOP <input type="checkbox"/> BOTTOM <input type="checkbox"/>
PIPE COLOR		

Color ID Red, Blue, White, Black, Orange, Yellow, NA



DIMNSION FROM INSIDE OF
LEFT STUD

FOR OFFSETS - CONTACT THE SHOP

UNLESS OTHERWISE REQUESTED ASSEMBLY ORDERS INCLUDE:

- DEFAULT - CADDY SGB16A FOR 16" ON CENTER STUDS

TOTAL ORDERED:

DATE ORDERED:

ORDERED BY:

DATE NEEDED AT JOBSITE:

CONTACT:

#:

LOCATION AT JOBSITE:

SPECIAL INSTRUCTIONS:

JOB NAME:

JOB #:

ISSUE DATE:

JOB PHASE:

COST CODE:

